

MUNICIPAL UTILITIES BOARD OF THE CITY OF ALBERTVILLE
 SPECIFICATIONS FOR RESIDENTIAL UNDERGROUND
 SERVICE REQUIREMENTS 200 AMP

Note #1 Use Penetrox On All Aluminum Connections

Note #2 Do not Install Shielded Entrance Cable in Conduit (Gray Insulation)

Note #3 All Commercial Customers are Responsible for Running Underground Service to Pole or Padmount and provide enough Wire, Conduit, Weatherhead, and Straps to go up pole, MUB will run it up the pole for Customer

Note #4 Call One Day Minimum Before Digging To Schedule All Underground Services

Note #5 Must have a minimum of 18" leads

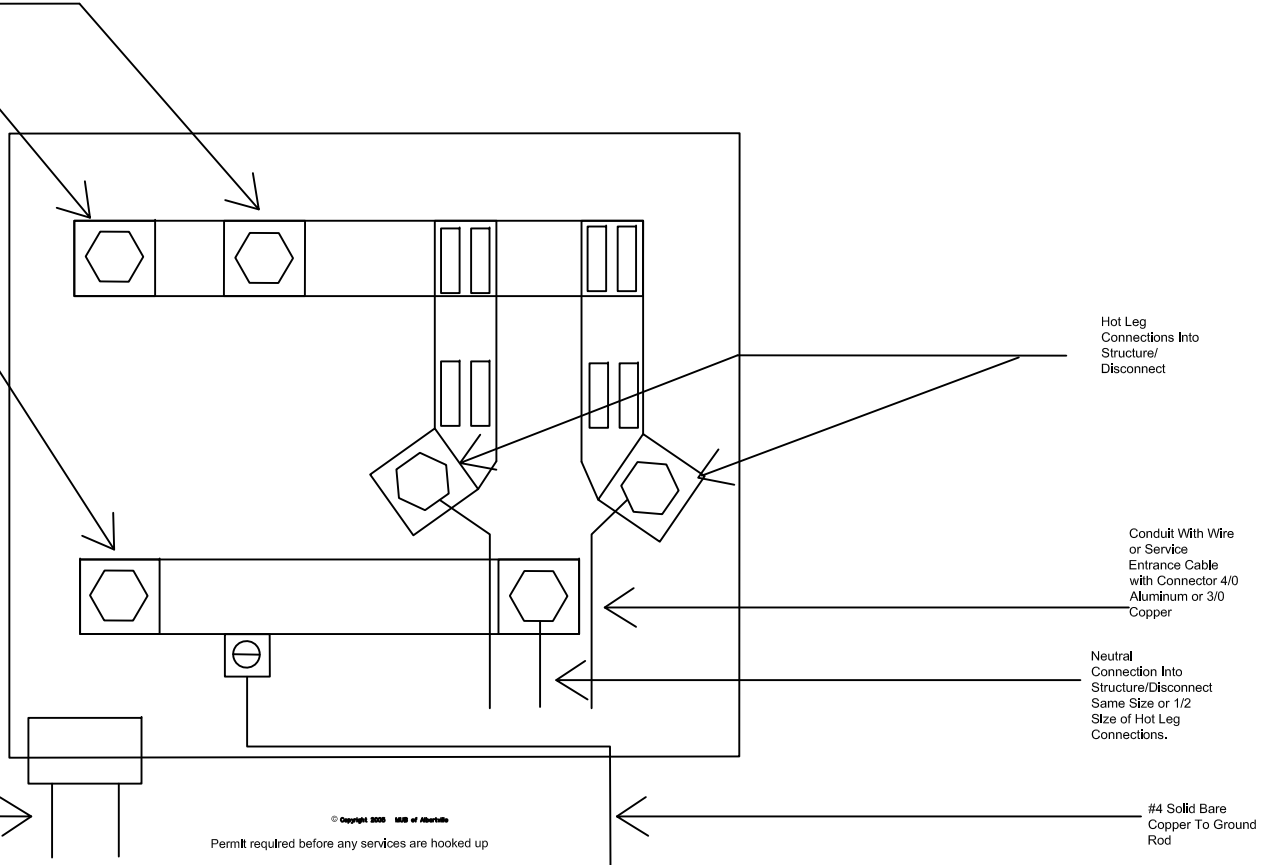
Note #6 Must have an insulated neutral

Note #7 If conduit has a splice, it must be a minimum of 4 feet from the meter base

Note #8 Customer Responsible for Opening and Closing all Ditches

MUB Will Make These Connections

Customer Provides: 2 1/2" PVC Male Adapter Grey Schedule 40 Pipe to Bottom of Ditch, with one Sweeping Elbow.



© Copyright 2005 MUB of Albertville
 Permit required before any services are hooked up